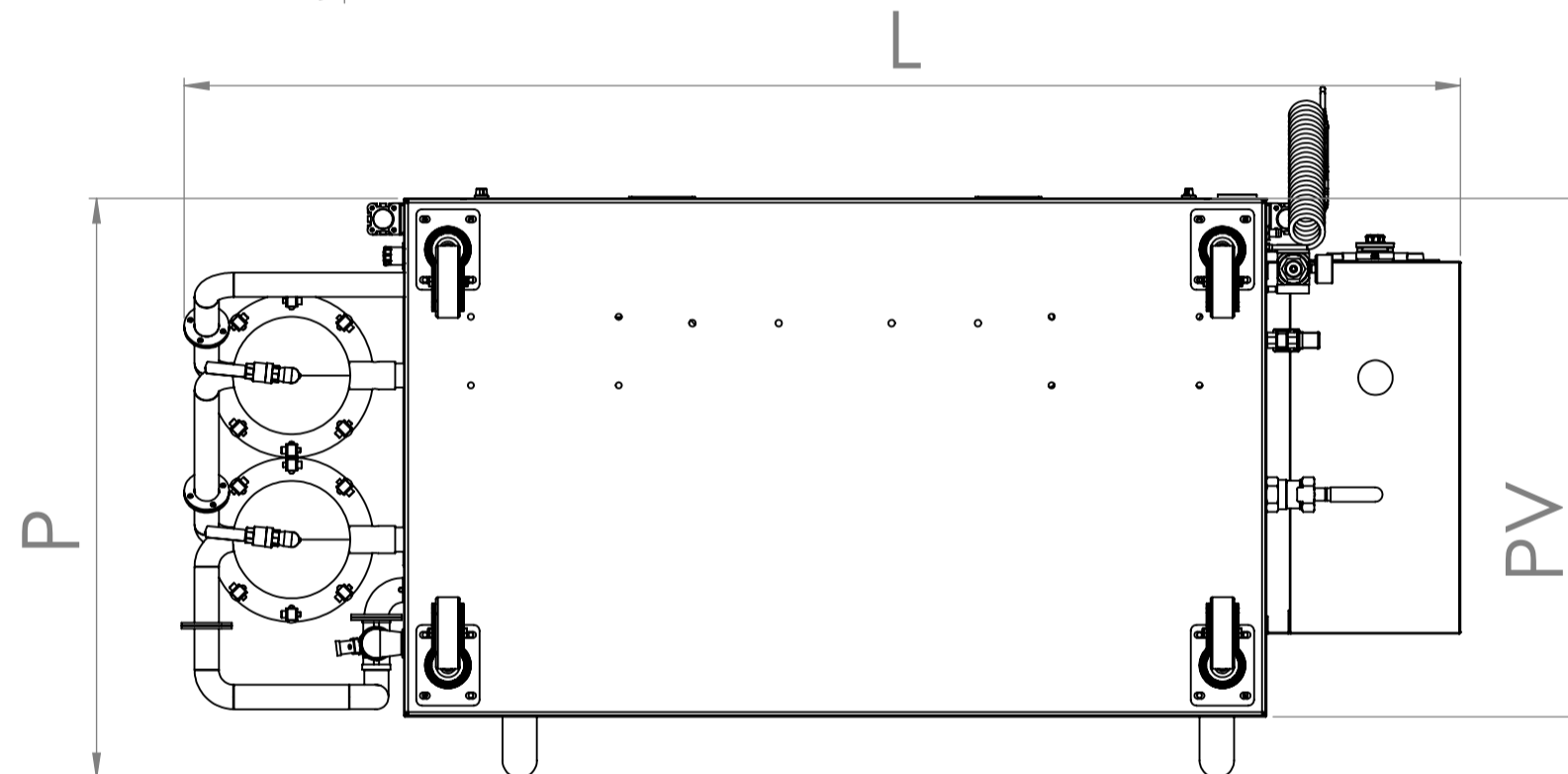
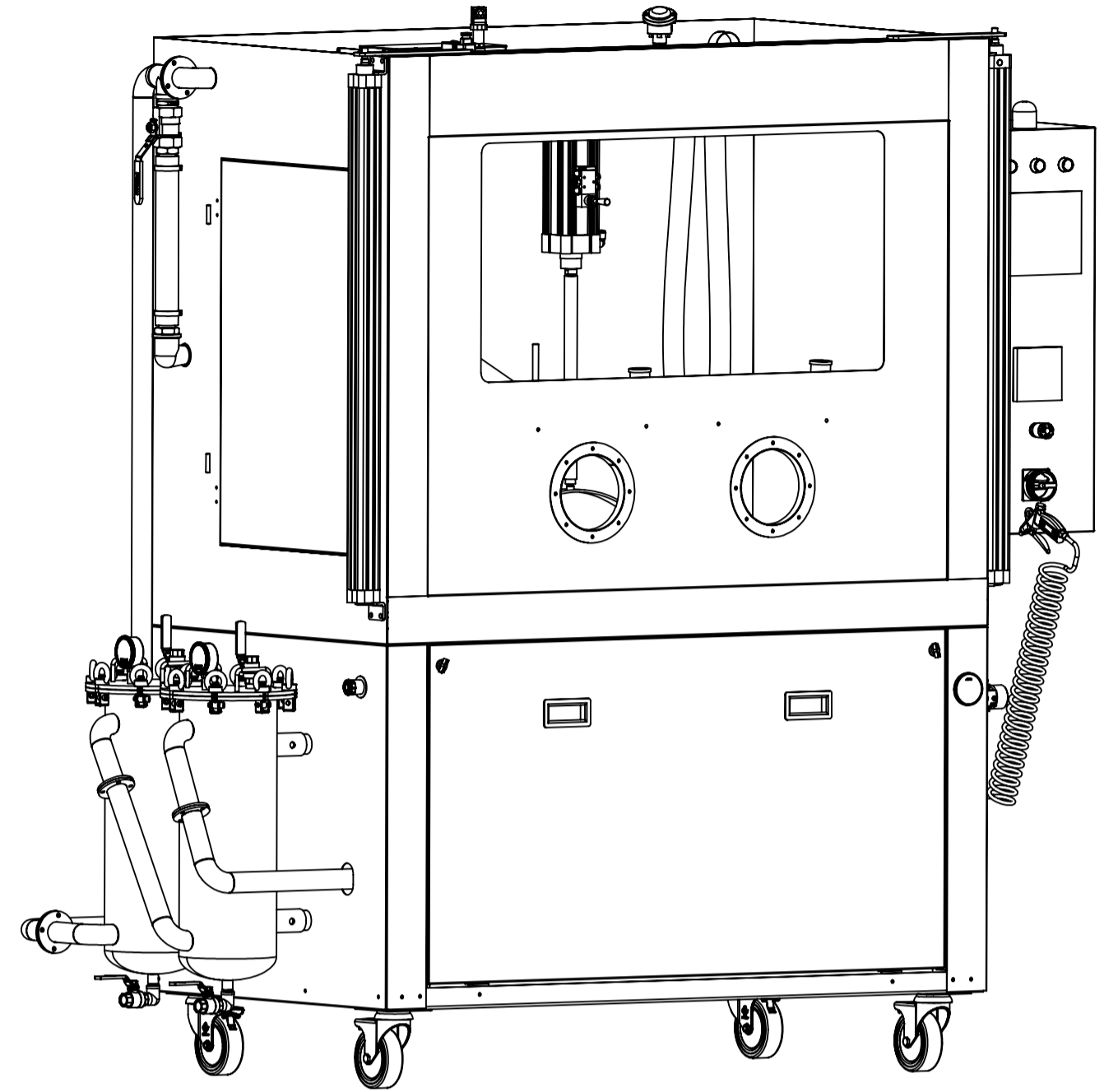
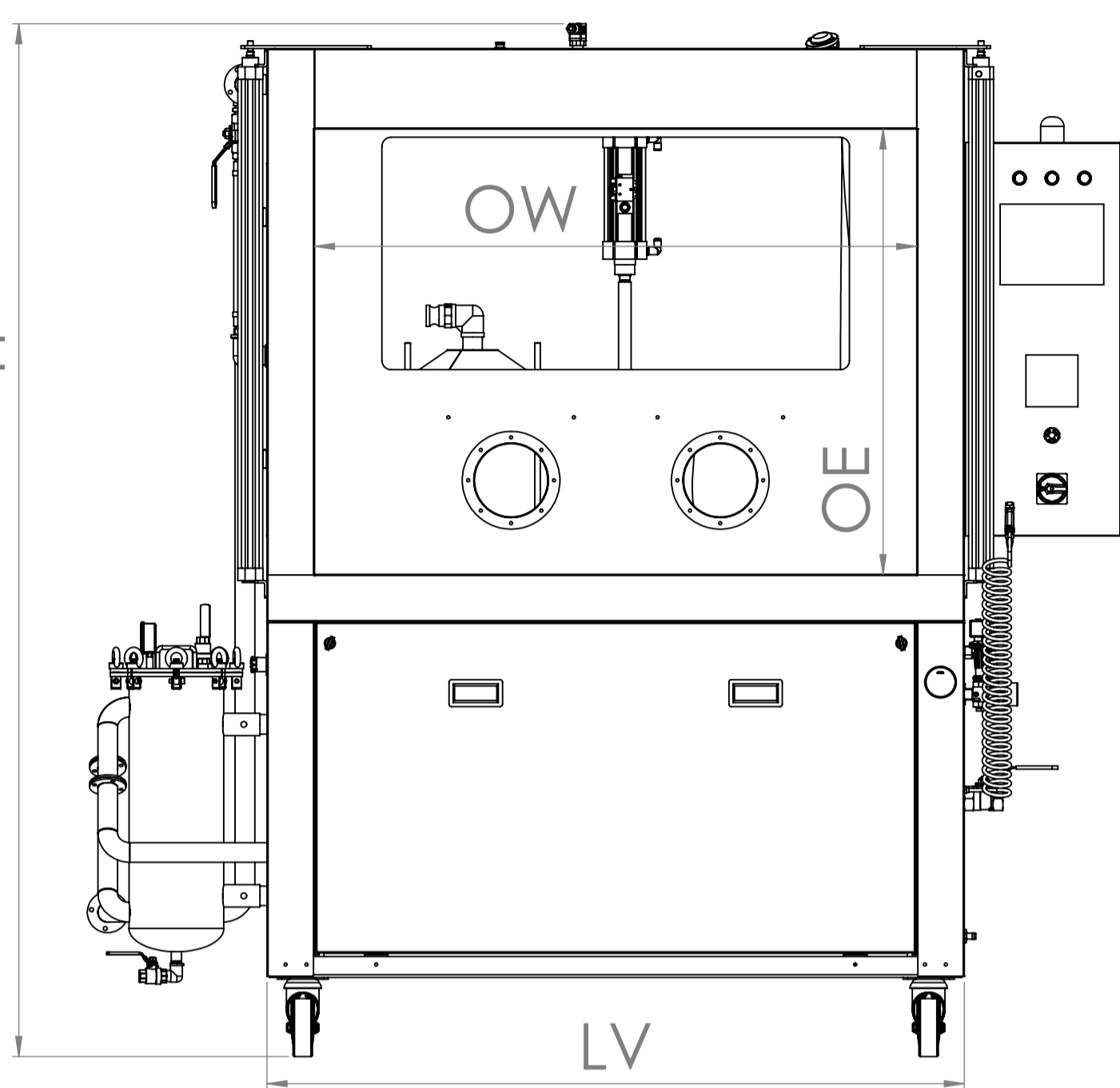


# TR DEPOT® DPF 8X PRO MASTER CLEANER



DIMENSIONS AND LAYOUT		DPF 8X PRO MASTER
L	Width	222 CM
LV	Simple Width	150 CM
P	Depth	100 CM
PV	Simple depth	90 CM
H	Height	222 CM
HO	Height with opened machine	318 CM
OE	Opening Height	96 CM
OW	Opening Width	129 CM
UD	Useful Dimension	146X83X108 CM
TK	Tank capacity	173 LT
FT	Filter capacity	2X 18.8 LT
WP	Washing pump	1x 2.2 kW - 8 bar - 300 lt/min
HP	High pressure washer pump	1x 1x 3 KW - 150 Bar - 11 lt/min
CH	Mica Hot Air Resistance	1x 4KW
AD	Air Drying blower	2.2KW - 220 2700 mBar
HE	Heating element	2x 7.5 KW
T	Thermostat	0-60°C
W	Weight	- KG
RU	Noise LT	- dBA
	Alimentation	400V 3HP 50HZ
	Air alimentation	6 - 8 Bar