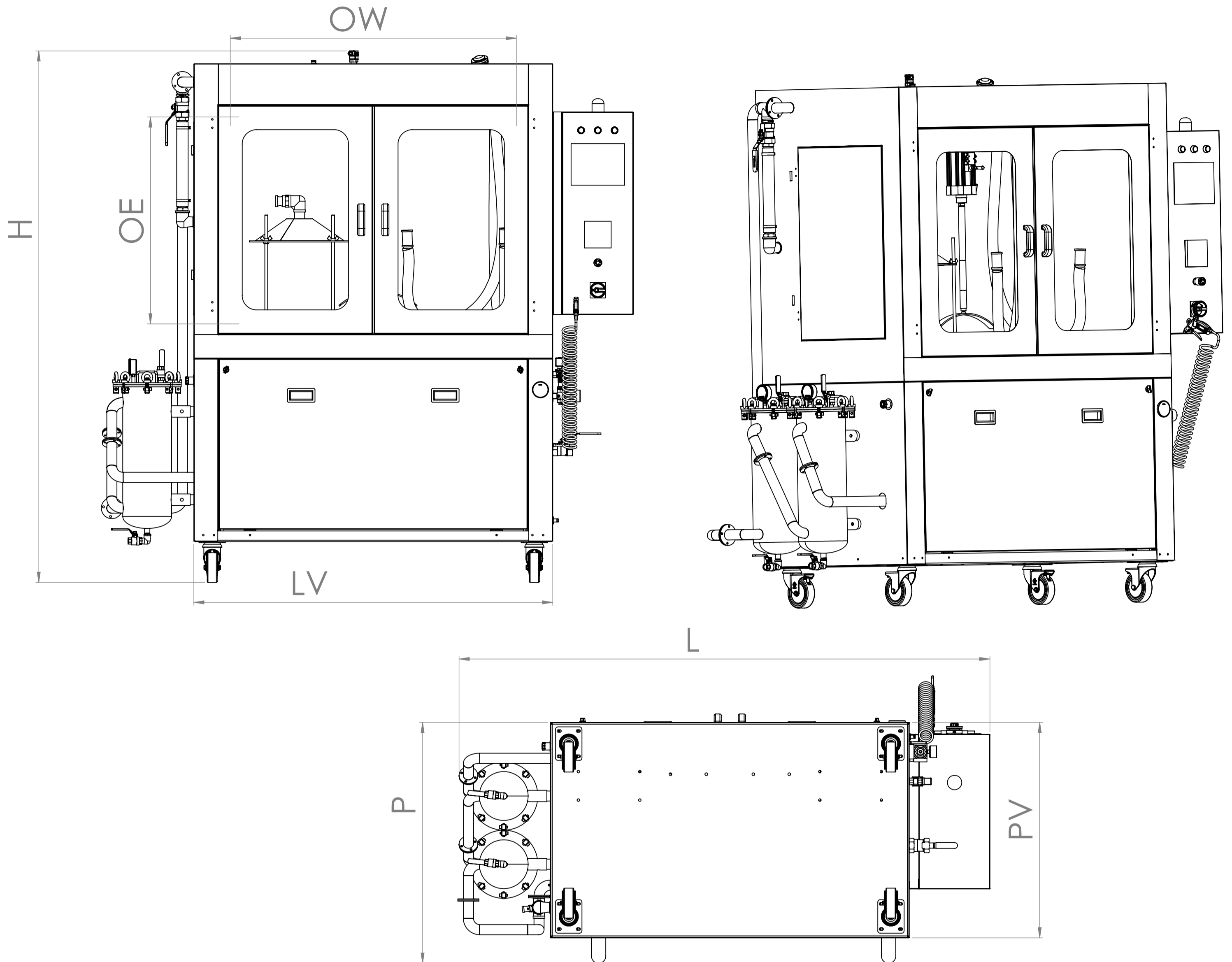


TR DEPOT® DPF 8X PROFESSIONAL CLEANER



| DIMENSIONS AND LAYOUT | | DPF 8X PRO |
|-----------------------|---------------------------|--------------------------------|
| L | Width | 222 CM |
| LV | Simple Width | 150 CM |
| P | Depth | 100 CM |
| PV | Simple depth | 90 CM |
| H | Height | 222 CM |
| DO | Depth with opened machine | 198 CM |
| OE | Opening Height | 86 CM |
| OW | Opening Width | 119 CM |
| UD | Useful Dimension | 146X83X108 CM |
| TK | Tank capacity | 173 LT |
| FT | Filter capacity | 2X 18.8 LT |
| WP | Washing pump | 1x 2.2 kW - 8 bar - 300 lt/min |
| CH | Mica Hot Air Resistance | 1x 4KW |
| AD | Air Drying blower | 2.2KW - 220 2700 mBar |
| HE | Heating element | 2x 7.5 KW |
| T | Thermostat | 0-60°C |
| W | Weight | - KG |
| RU | Noise LT | - dBA |
| | Alimentation | 400V 3HP 50HZ |
| | Air alimentation | 6 - 8 Bar |